
Suprema

Convenience Store Model with APP System

Addendum to the Suprema Operation & Service Manual



GENERAL INFORMATION

- All fascias and decals are factory installed.
- The ‘T’ adaptor is factory installed on the water tank.
- The Suprema is pre-wired with the APP wiring to simplify the installation of the APP unit.
- All APP sheet metal knock-outs are removed when the machine is manufactured.
- A “*PLEASE WAIT! Brewing in process*” message is illuminated above the dispensing area during the complete brewing process.

MACHINE PREPARATION

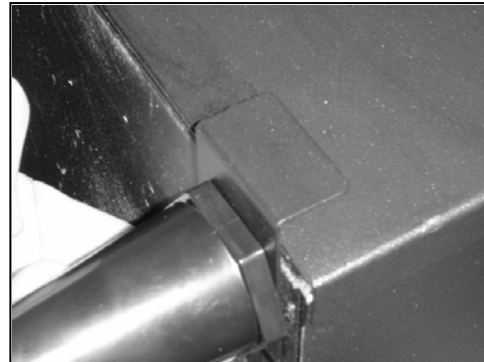
INSTALLING THE LEVELERS AND CUP STAND SUPPORT

When the machine is unboxed, the levelers and cup stand support are not installed. These must be installed prior to placing the machine in service.



CAUTION: To avoid personal injury or damage to the equipment, two people should be present when lifting the machine.

1. Remove the bag of components shipped inside the machine.
2. Lay the machine on its left side.
3. Install the left rear leveler and tighten.
4. Install the lower APP support bracket between the right rear leveler of the machine and the base – do

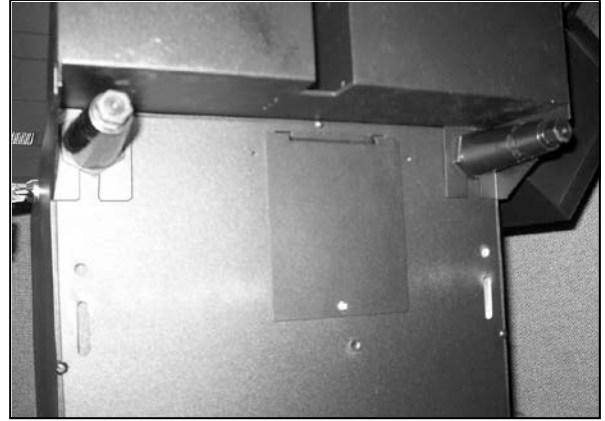
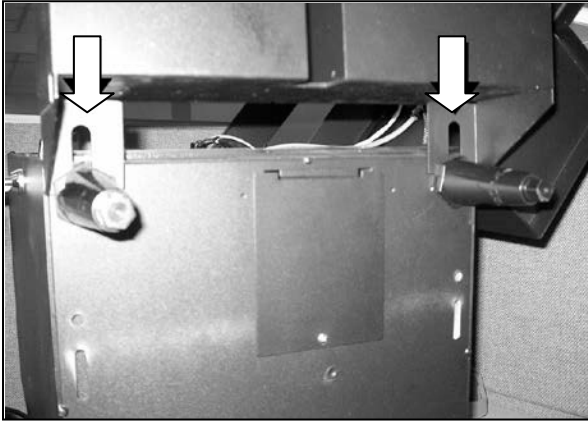


not tighten the leveler at this point.

5. Install the two front levelers, but do not tighten them – leave a ¼” gap between the levelers and the base of the machine.
6. Carefully stand the machine up on the four levelers.
7. Open the front door.
8. Lift the front of the plastic floor liner to expose the metal base underneath.

INSTALLING THE LEVELERS AND CUP STAND SUPPORT

9. Slide the two channels of cup stand support into the ¼” gap that was left between the two levelers and the bottom of the machine base.

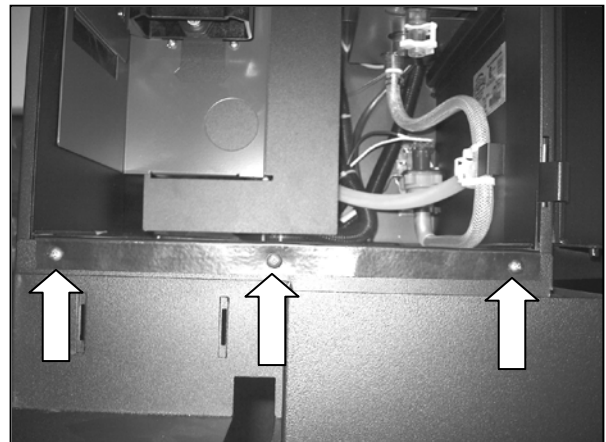
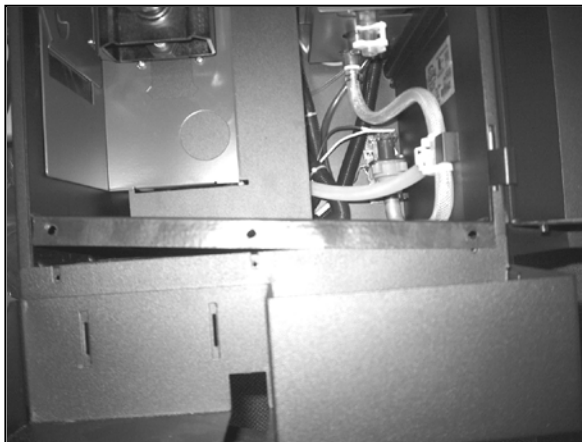


10. Make certain the cup stand support is pushed all the way in and tighten the two front levelers.



NOTE: The front of the floor liner must be placed on the outside of the front of the cup stand support. The cup stand support must be in between the floor liner and the metal base.

11. Install the three floor liner mounting screws making sure they also secure the front of the cup stand support to the base of the machine.



12. Close and lock the front door.

INSTALLING THE DRAIN HOSE AND CUP STAND



NOTE: The drain hose is not supplied. You must use a hose with a ½” internal diameter to connect the equipment to the building’s drain system.

1. Pass one end of your drain hose (in the space under the machine) through the cutout on the front of the cup stand support bracket.
2. Connect the other end of the drain hose to the bottom of the cup stand.



3. Install the other end of the hose into the building’s drain system.



NOTE: When this machine is installed, it must be connected to the building’s drain system, which must be at least 2” below the drain fitting on the bottom of the machine.

4. Install the cup stand onto the cup stand support.
 - a) The cup stand has two locking tabs at the rear and one on the right side. Make sure all three tabs are lined up, and press down on the cup stand to secure it in place.
 - b) Remove the protective plastic from the cup stand grill and install the grill into the support.

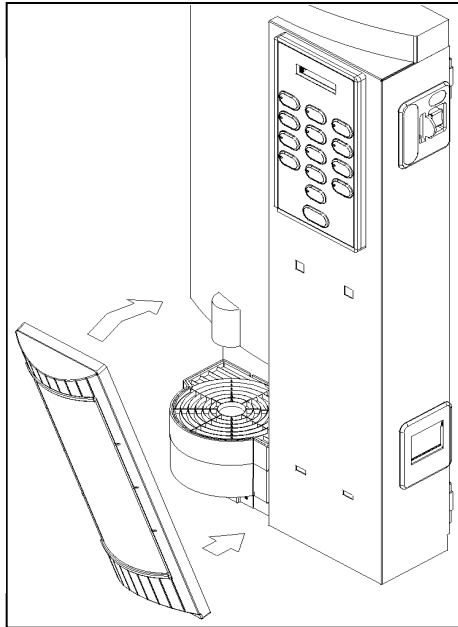


NOTE: The front door is adjusted at the factory. However, it is possible that, due to transportation and handling, some minor adjustments may still be required to the door and/or cup stand when the unit is unboxed.

INSTALLING THE GRAPHICS BEZEL

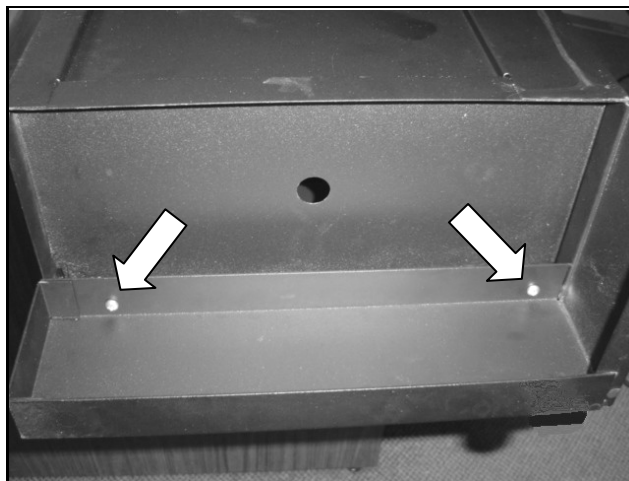
Install the bezel by first inserting the tabs on bottom of it into the notches on the door. Push the top of the bezel into the door until it clips in place.

Installation of the graphics bezel



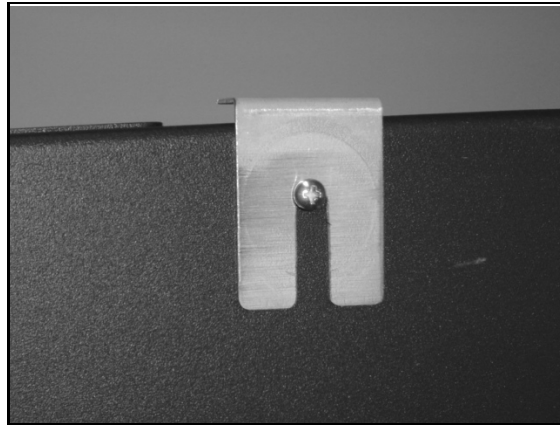
INSTALL THE RISER EXTENSION ON THE APP

Install the riser extension on the APP using the two 10-32 screws provided.



INSTALLING THE APP

1. Insert two 8-32 screws (provided) into the clinch nuts on the right side of the machine.
2. Use the template provided to set the depth of the screws. Tighten the screws until they come into contact with the template, and remove the template – do not overtighten as the template must be easily removed.

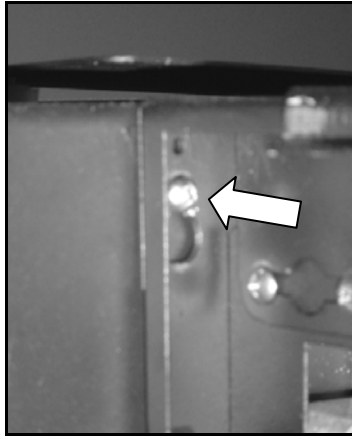


3. Remove the template.
4. Mount the A.P.P. unit onto the two screws.
5. Slide the retaining bracket at the rear right side (installed on page 2) into the bottom of the APP and tighten the leveler to secure in place.
6. Install a screw through the right side wall (below the opening for the APP outlet tube) into the APP.

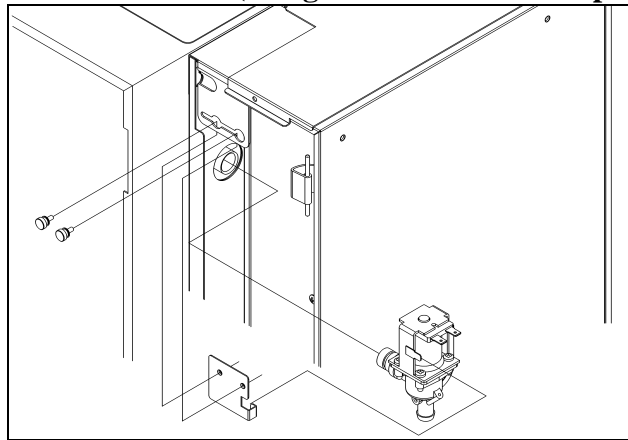


INSTALLING THE APP

7. Using a short Phillips screwdriver, tighten the front screw on the side wall (installed in step#1) to secure the APP to the side of the Suprema.

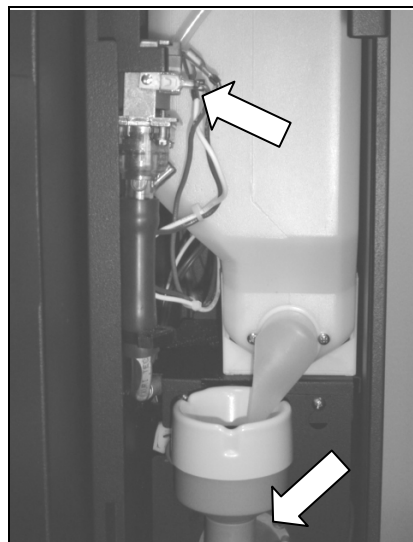


8. Install the valve and valve retainer (using the 2 thumbscrews provided).



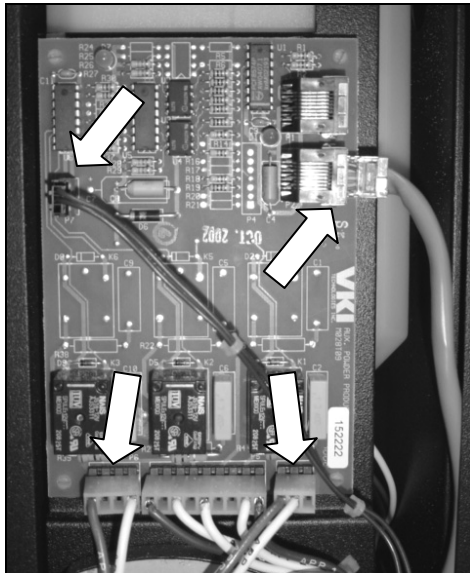
NOTE: The valve must be installed on the 'T' adaptor **BEFORE** connecting the valve tubing to prevent kinking of the tubing at the whipper bowl.

9. Install the elbow onto the whipper chamber and install the floor liner on the shelf directly below the whipper components.

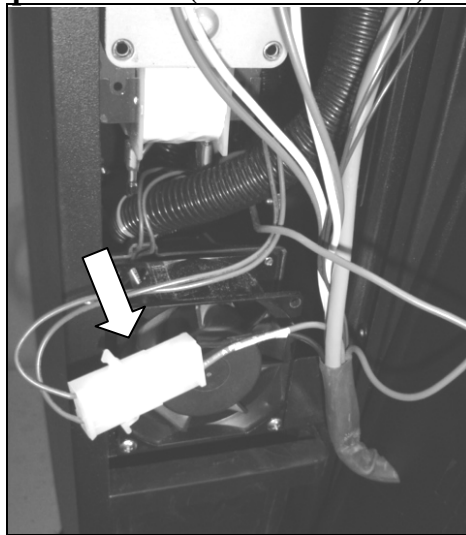


WIRING CONNECTIONS INSIDE APP UNIT

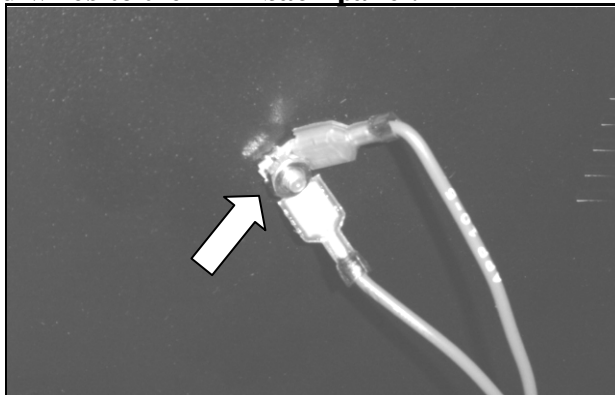
1. Remove the APP back panel.
2. Connect the wiring harness connectors to the APP circuit board.



3. Connect the exhaust fan power wires (inline connector).



4. Connect the ground wires to the APP back panel.



5. Re-install the APP back panel.

WATER FILTER

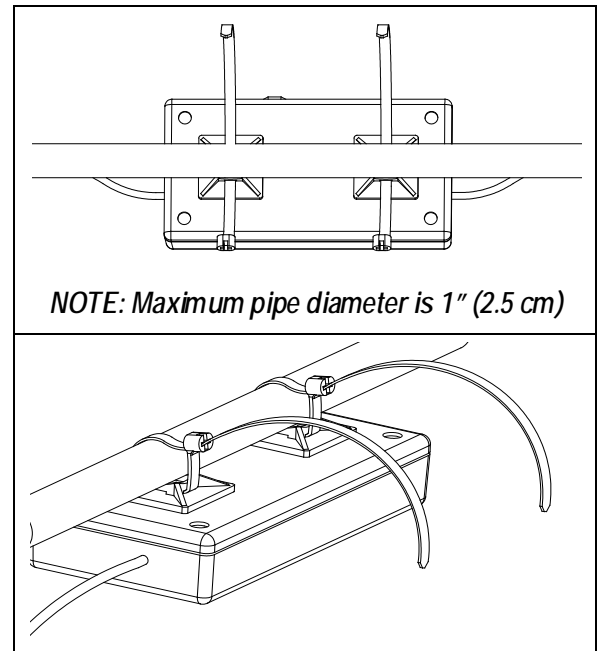
We recommend the use of a high quality water filter (such as Everpure Filters). Filters will eliminate most odors present in water, and will reduce the amount of particles entering the water tank. The following are basic instructions for installing a cartridge type filter using a head bracket (Everpure type filter).

1. Assemble the retaining bracket to the filter head.
2. Insert the cartridge into the filter head and turn the cartridge clockwise.
3. Apply Teflon tape to the threaded portion of two 3/8" x 1/4" fittings and screw each into the filter head.
4. Mount the water filter at an easily accessible place for servicing, such as:
 - (a) Under the sink against the back or side wall,
 - (b) On the back of a utility cabinet,
 - (c) On the back of the coffee maker,
 - (d) Any location generally within 20 feet of the machine.

INSTALLING THE SCALEHAMMER

The Scalehammer is very easy to install, it takes a few minutes and does not require plumbing or any interruption to the water system. All that is required is about 18 inches (45cm) of exposed pipe on which to install the unit. An adjacent power outlet is required for the plug-in transformer. The surface of the pipe must be clean and free of oil, grease and insulation.

1. Two wire ties are provided for mounting the Scalehammer to the water pipe. Insert one wire tie in each clip located on the back of the unit; wrap the ties around the pipe where the Scalehammer will be mounted, pull the tie until the unit is secure to the water pipe, then cut off the excess tie.
2. Note that the antenna wires are off-centered with the pipe.
 - If the unit is mounted horizontally: one antenna wire must go over and the other under the pipe.
 - If mounted vertically: one antenna wire must go to the right and the other to the left side of the pipe.



INSTALLING THE SCALEHAMMER

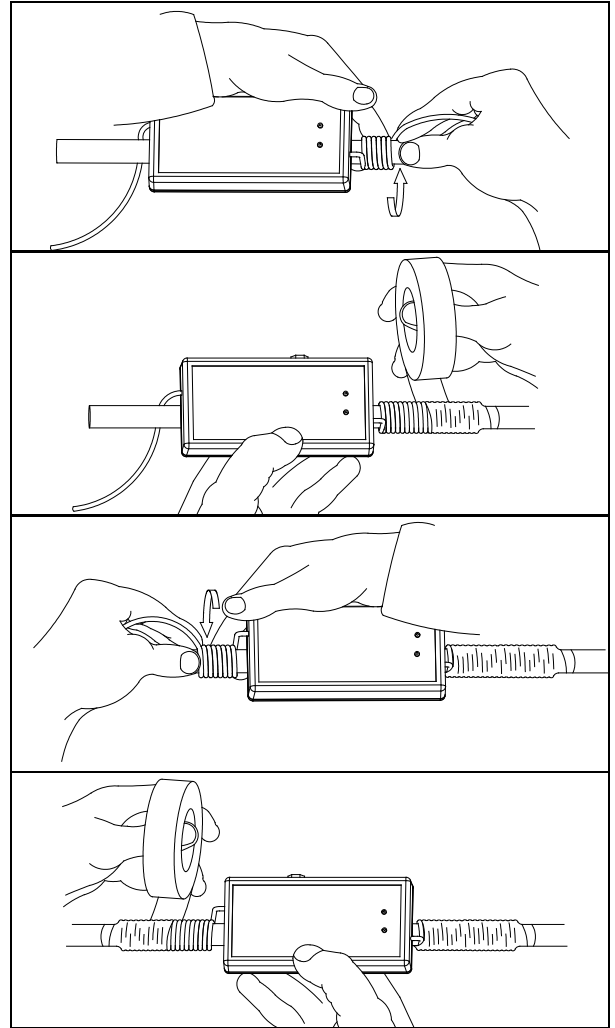
3. Wrap the antenna wire around the pipe in a very tight coil. A minimum of 18 full coils is required for best results.

Apply the supplied tape to assure that the coils are securely maintained on the pipe. Overlap the coils at least $\frac{3}{4}$ of an inch (2cm), applying two coats of tape. For best results, each antenna coil must be wound in very tight turns snugly fitted against each other using up the entire antenna and held secure.



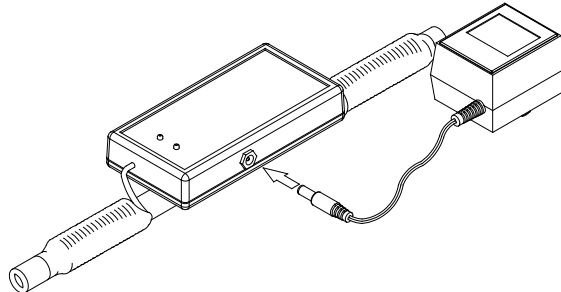
NOTE: One antenna must be wrapped in a clockwise direction and the other in a counter-clockwise direction.

4. Insert the power supply plug into the power supply jack on the side of the Scalehammer then plug the power supply into a standard electrical outlet.



When on, the green power indicator will light up and when the water will be energized, the red indicator will start flashing.

If the indicator lights are not responding, unplug the power supply, wait one minute, and then plug in the power supply again.



WARNING: If you suspect a malfunction of the Scalehammer, do not open or modify the unit - this will nullify the warranty and damage the unit.

**PARTS IDENTIFICATION
AND
PART NUMBERS**
(Parts exclusive to Convenience Store Model)



Suprema

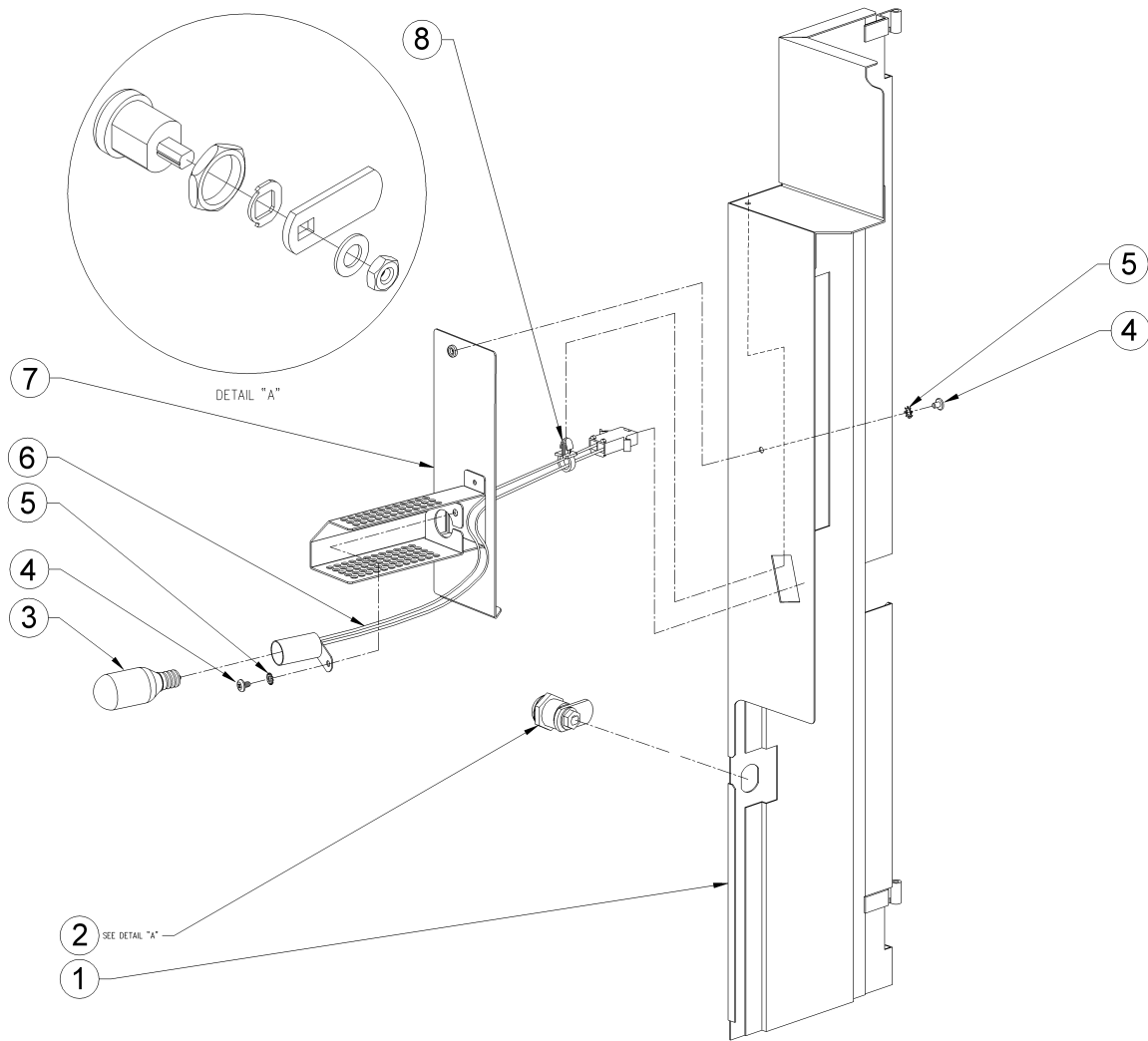
**ILLUSTRATIONS
ET
NUMÉROS DE PIÈCES**
(Pièces exclusive sur le modèle dépanneur)



DOOR ASSEMBLY	C510541	ASSEMBLAGE DE LA PORTE
----------------------	----------------	-------------------------------

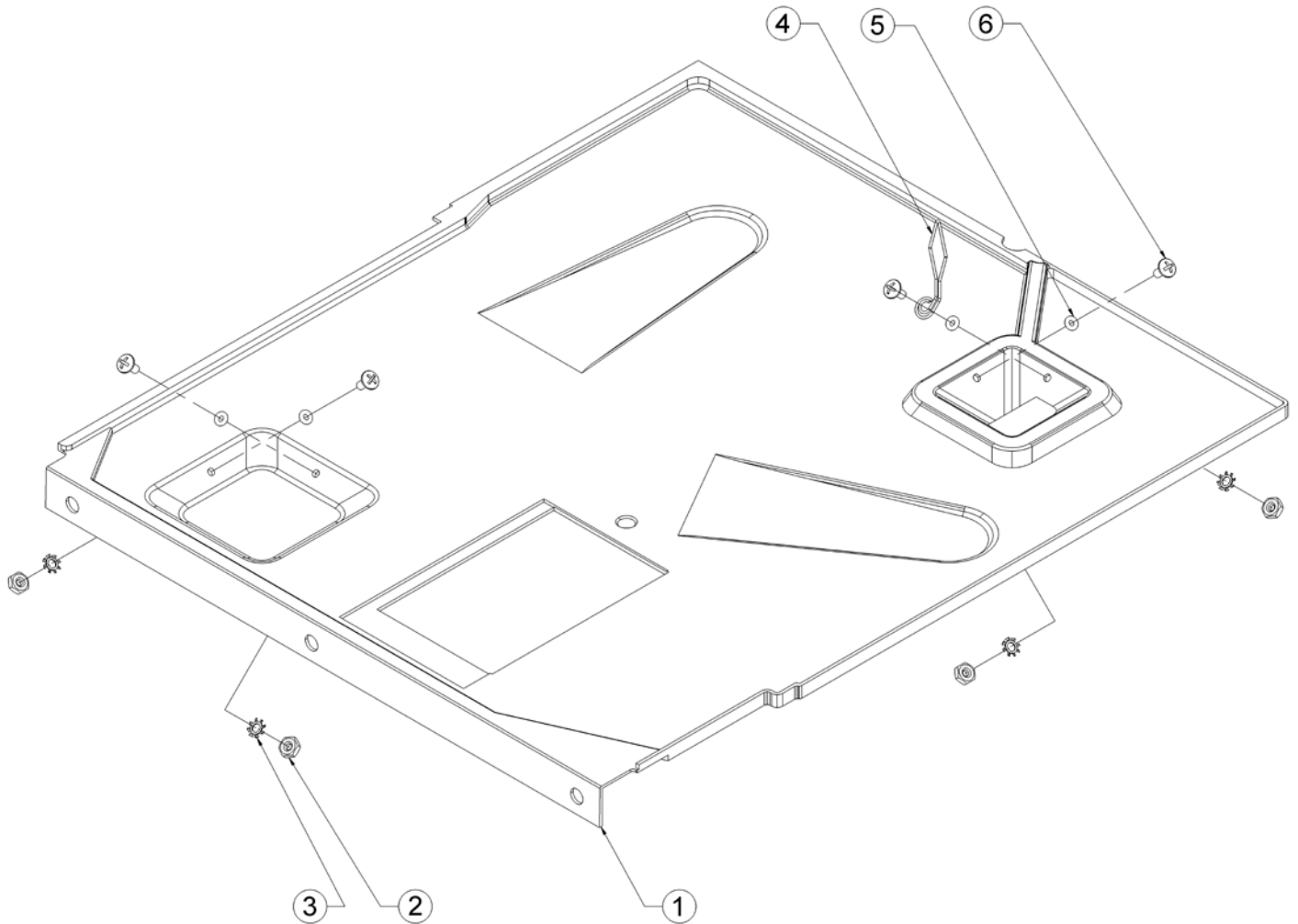
Item	DESCRIPTION	P/N	DESCRIPTION
1.	Flat Washer, .193 x .437 x .050	T019182	Rondelle, .193 x .437 x .050
2.	Screw, 6-32 x ½	T620841	Vis, 6-32 x ½
3.	Door	L411196C4	Porte
4.	Lockwasher, #8 ext. Tooth	T008421	Rondelle blocage, #8 ext. dentelée
5.	Hex Nut, 8-32	T008511	Boulon hexagonal, 8-32
6.	Lockwasher, #6 ext. Tooth	T006421	Rondelle blocage, #6 ext. dentelée
7.	Screw, 6-32 x 5/16	T620541	Vis, 6-32 x 5/16
8.	Outlet Hoses	E210306	Tuyaux distributeurs
9.	Wire Clip	M019684	Clip pour filage
10.	Door Panel	P059002	Panneau de porte
11.	Fastener	K011204SS	Attache
12.	.250 Stud Mount Terminal	M019559	Terminal .250 à montage sur plot
13.	PCB Spacer	M014220	Espaceur pour circuit imprimé
14.	Front Board	M310426	Plaquette avant
15.	Rear Retainer	K011132C2	Dispositif de retenue arrière
16.	Front Retainer	K011131C2	Dispositif de retenue avant
17.	Hex Nut, 6-32	T006511	Boulon hexagonal, 6-32
18.	Spout Icon	M034107	icône du bec distributeur
19.	Screw	T019727	Vis
20.	Splash Plate	K041366SS	Plaque anti-éclaboussures
21.	Cup Stand Bracket	K011268SS	Monture du support de tasses
22.	Plate, Cup Stand	M024003	Plaque, plateau tasse

INNER DOOR ASSEMBLY E410313 ASSEMBLAGE DE LA PORTE INTERNE



Item	DESCRIPTION	P/N	DESCRIPTION
1.	Inner Door	L411167C2	Porte interne
2.	Inner Door Lock	M110211	Serrure de la porte interne
3.	Light Bulb, 25 Watts	M019144	Ampoule, 25 watts
4.	Screw, 6-32 x 3/16	T620341	Vis, 6-32 x 3/16
5.	Lockwasher, #6 ext. Tooth	T006421	Rondelle de blocage, #6 ext. dentelée
6.	Light Socket	M019144	Douille de l'ampoule
7.	Light Deflector	L211020SS	Défecteur de lumière
8.	Clip 3/8, Closed Top	M019338	Clip 3/8, bout fermé

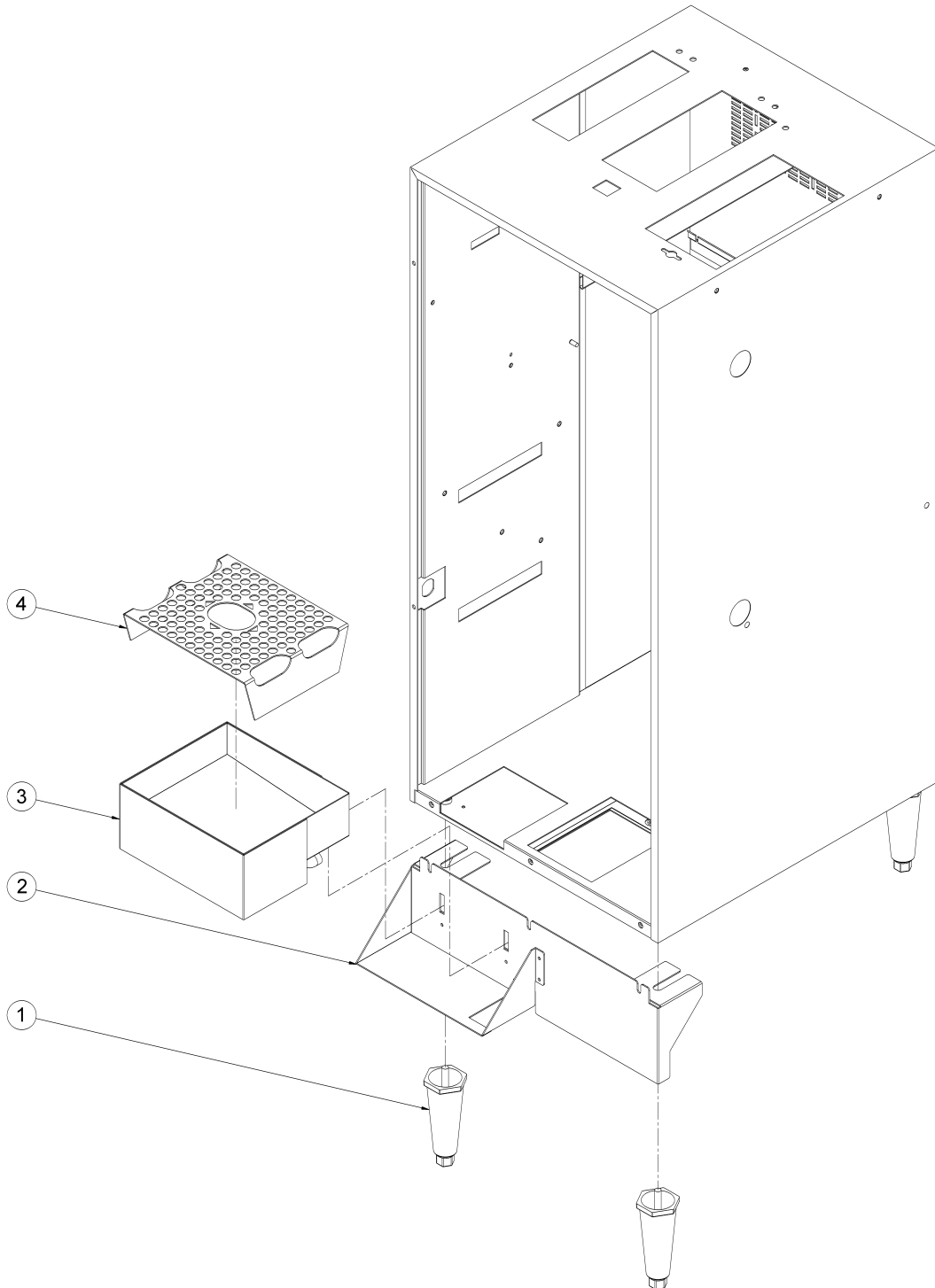
BASE COVER ASSEMBLY E310425 ASSEMBLAGE DE LA DOUBLURE DE LA BASE



Item	DESCRIPTION	P/N	DESCRIPTION
1.	Base Cover	M034147	Doublure de base
2.	Hex Nut, 6-32	T006511	Boulon hexagonal, 6-32
3.	Lockwasher #6, ext. Tooth	T006421	Rondelle de blocage, #6 ext. dentelée
4.	Retainer, Overflow Hose	M017070	Dispositif de retenue, tuyau de débordement
5.	O-Ring, 3/32 x 1/16	M014182	Joint torique, 3/32 x 1/16
6.	Screw, 6-32 x 5/16	T620541	Vis, 6-32 x 5/16
Not Shown/ Non illustré			
	Overflow Harness	M310253	Harnais de débordement

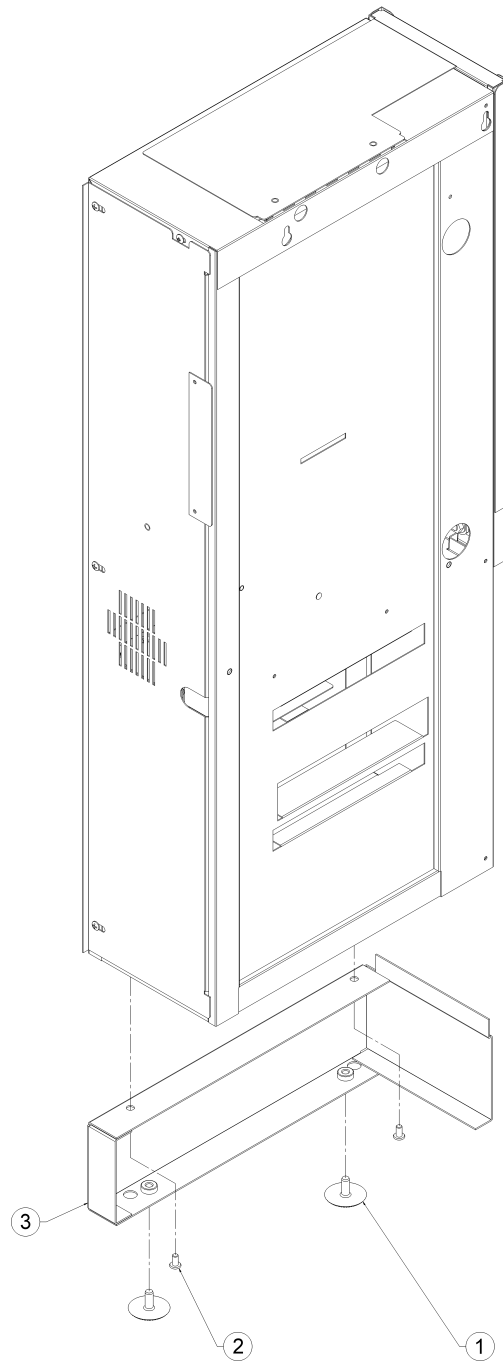
CUP STAND & RISER

SUPPORT DE TASSES & EXTENSION



Item	DESCRIPTION	P/N	DESCRIPTION
1.	Leveler, 4"	M029108	Niveleur, 4"
2.	Cup Stand Holder	L311058C4	Monture du support de tasses
3.	Cup Stand	L411195C4	Support de tasses
4.	Grill	K021644SS	Grille

APP RISER **EXTENSION DE L'APP**



Item	DESCRIPTION	P/N	DESCRIPTION
1.	Leveler	M019225	Niveleur
2.	Screw, 10-32 x 1/2	T019555	Vis, 10-32 x 1/2
3.	Riser	L311035C4	Extension

